

DESCRIPTION

The V vacuum breakers are simple and reliable devices that automatically relieve or "break" an unwanted vacuum condition, restoring the atmospheric pressure. This device is particularly suitable for steam heated units of small and medium volume, such as heat exchangers, heating coils, calorifiers, jacketed kettles, steam boilers, etc.

USE: Saturated and superheated steam.

AVAILABLE MODELS:

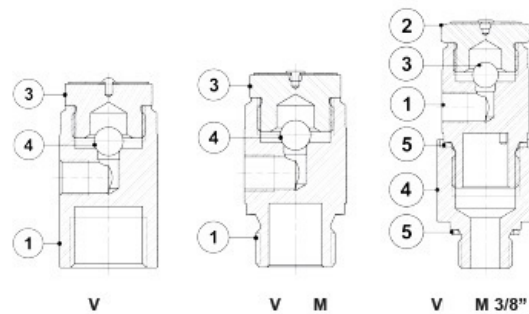
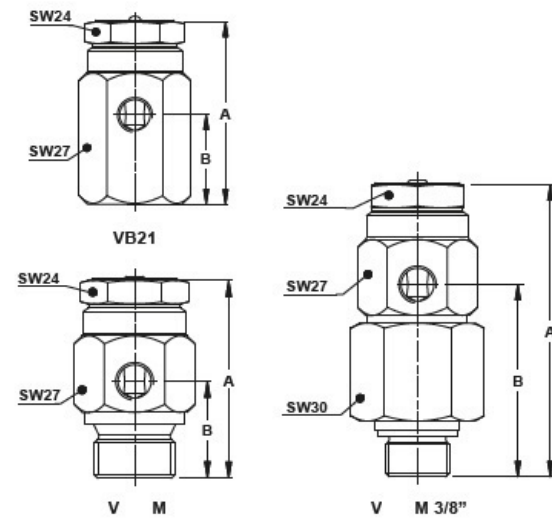
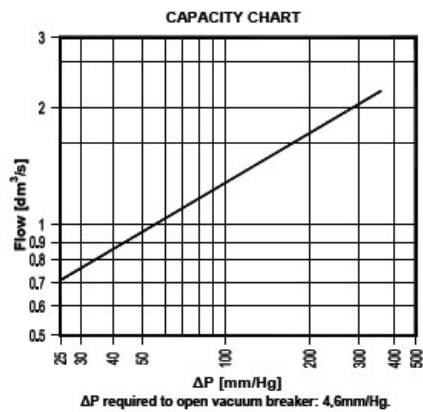
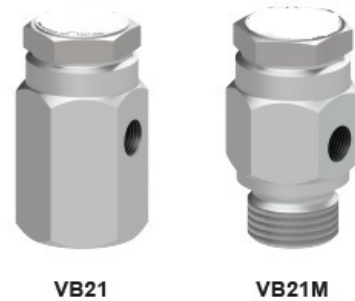
- V – female threaded.
- V M – male threaded.

SIZES: 1/2" x 1/8".

CONNECTIONS: System: vertical connection 1/2".
Air inlet: horizontal connection 1/8".
V – female threaded ISO 7 Rp.
V M – male threaded ISO 228 G.

INSTALLATION: Vertical installation angled connection.
See IMI – Installation and maintenance instructions.

LIMITING CONDITIONS: 13 bar at 400 °C.
21 bar at 220 °C.



DIMENSIONS (mm)				
MODEL	SIZE	A	B	WEIGHT (kg)
V	1/2"	51	25	0,17
V	1/2"	51	25	0,13
V M *	3/8"	76	50	0,29

* Special version with adapter fitting 1/2" x 3/8" ISO 228 or NPT.

MATERIALS		
POS. N°	DESIGNATION	MATERIAL
1	Body	AISI 303 / 1.4305
2	Cover	AISI 303 / 1.4305
3	* Ball valve	Stainless steel
4	Adapter fitting	AISI 303 / 1.4305
5	* Gasket	Copper

* Available spare parts.