



TT Series Thermostatic Bellows Steam Traps

Stainless Steel

For Pressures to 20 bar...Capacities to 1 570 kg/h

Description

The balanced pressure bellows thermostatic steam trap has a sealed, stainless-steel body that is lightweight, compact and highly resistant to corrosion. The cage, bellows, valve and seat are all assembled into a precisely calibrated operating unit that ensures positive opening and closing action at slightly below steam temperature. The unique, stainless-steel construction is smaller and much lighter than comparable cast iron, brass or steel traps. TTF-1 is available with straight-thru or right angle connections. TT-2000 with the 360° universal stainless steel connector comes with either a standard connector or the IS-2 connector with integral strainer.

Note: Can also be used as a thermostatic air vent (Reference TTF Series Thermostatic Air Vents page AV-304).

Specification

Thermostatic steam trap, type ... in stainless steel. Maximum allowable back pressure 99% of inlet pressure.

How to Order

Specify:

- Model number
- Size and type of pipe connection
- Connector type (TT-2000)

Connections

Screwed BSPT and NPT

TT-2000: Socketweld

TT-2000: Flanged DIN or ANSI (welded)

Materials

Body:

304L Stainless steel

Connector:

304 Stainless steel (TT-2000)

Bellows:

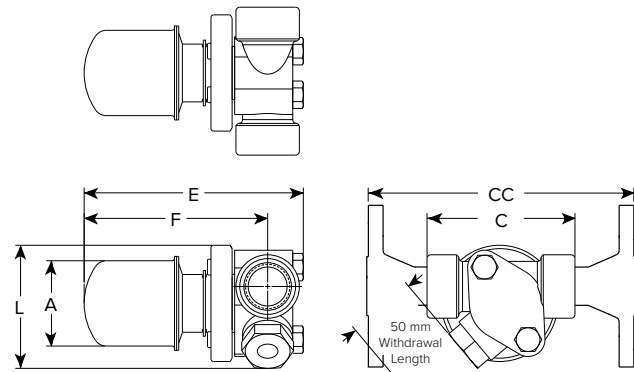
Stainless steel and bronze with phosphor-bronze bellows, caged in stainless steel

Loose Flange:

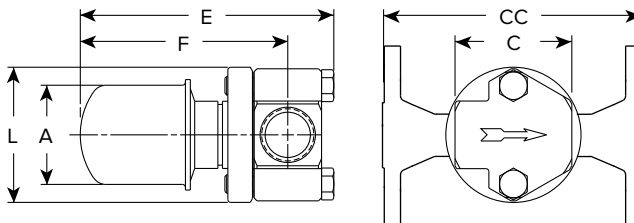
ASTM A105 Zinc Plated (TT-2000)



Model TT-2000 with Standard Connector



Model TT-2000 with Standard Connector



Model TT-2000 with IS-2 Connector with Integral Strainer

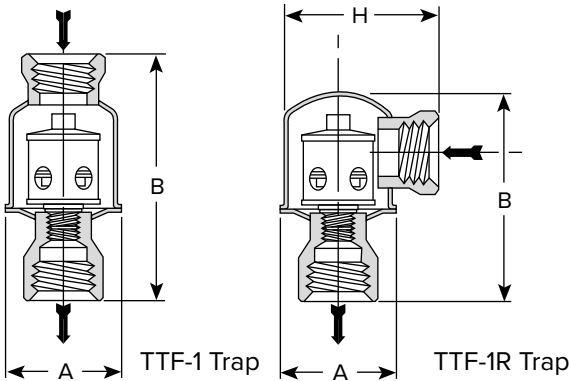


Table ST-192-1. TTF Series Trap (dimensions in mm)

Model No.	TTF-1		TTF-1R		TT-2000		
	Straight-Thru Connections		Right-Angle Connections		Standard Connector	IS-2 Connector with Integral Strainer	
Pipe Connections	15	20	15	20	15 – 20 – 25	15 – 20	25
"A" Diameter	57	57	57	57	57	57	57
"B" Height	114	119	95	100	—	—	—
"C" Face-to-Face (screwed & SW)	—	—	—	—	60 – 60 – N/A	89	102
"CC" Face-to-Face (flanged PN40*)	—	—	—	—	150 – 150 – 160	150	160
"E" Overall Length	—	—	—	—	133	130	133
"F" \varnothing to to Body End	—	—	—	—	108	111	111
"L" Overall Height	—	—	—	—	72	72	72
"H" Width for angle connection	—	—	78	76	—	—	—
Weight in kg (screwed & SW)	0,4	0,5	0,4	0,5	1,4	1,5	1,5
Weight in kg (flanged PN40*)	—	—	—	—	3,8 – 4,0 – 4,2	3,2 – 3,8	4,3

* Standard flanges are in carbon steel, stainless steel flanges are optional. Other flange sizes, ratings and face-to-face dimensions are available on request. All models comply with the Article 4.3 of the PED (2014/6-8/UE).

All dimensions and weights are approximate. Use certified print for exact dimensions. Design and materials are subject to change without notice.

TT Series Thermostatic Bellows Steam Traps

Stainless Steel

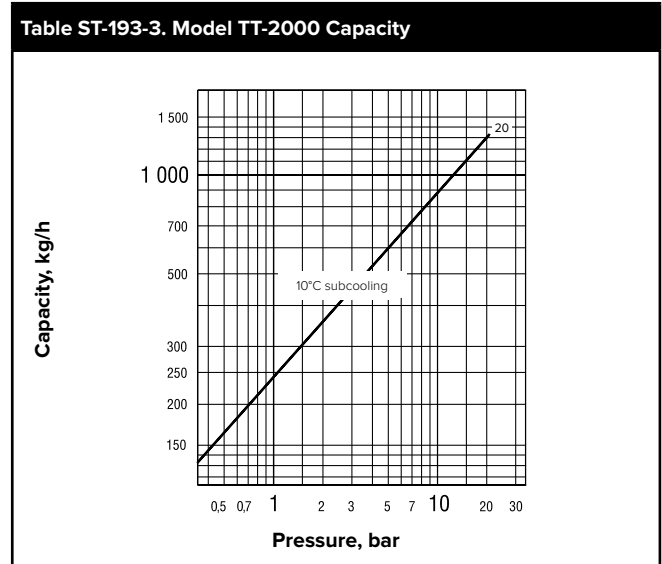
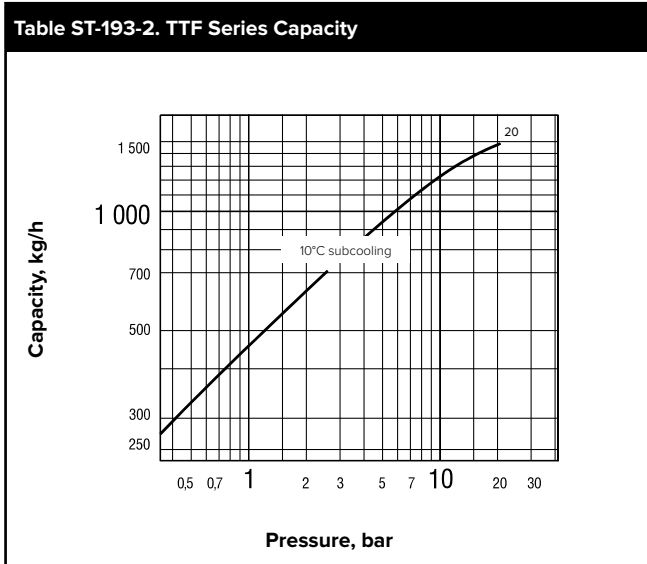
For Pressures to 20 bar...Capacities to 1 570 kg/h



Steam Trapping and
Steam Tracing Equipment

Table ST-193-1.			
Model	TTF-1	TTF-1R	TT-2000
Design	Welded		
Connections	Screwed BSPT and NPT – Socketweld – Flanged (TT-2000 only)		
Material			
Body	ASTM A240 – 304L		
Loose Flange	—	—	ASTM A105 Zinc Plated
Seat	Stainless Steel		
Thermostatic air vent	Standard Stainless steel & bronze w/phosphor bronze bellows caged in stainless steel		
Optional: All stainless steel thermostatic air vent			
Connector			
Standard	—	—	Stainless steel – 304
IS-2 w/integral strainer	—	—	ASTM A351 Gr.CF8 w/20x20 mesh 304 SS screen
Maximum Operating Conditions			
Maximum allowable pressure (vessel design)†	20 bar @ 232°C		
Maximum operating pressure	20 bar		
Maximum operating temperature bellows	190°C		

Maximum back pressure: 99% of inlet pressure



† May be derated depending on flange rating and type.

All dimensions and weights are approximate. Use certified print for exact dimensions. Design and materials are subject to change without notice.