



# CD-4080 Series High Pressure Disc Steam Trap

For Pressures to 1245 psig (85.9 barg)... Capacities to 600lb/hr (272 kg/hr)

Steam Trapping and  
Steam Tracing Equipment

## Description

The CD-4080 is a durable disc style steam trap designed for high-pressure use. The CD-4080 is engineered to meet the demanding conditions found in power plant applications. The CD-4080 is piped in-line by a 360° four bolt connector block which allows you to install the trap in virtually any piping configuration.

## Advantages

- Compact
- Replaceable seat and disc
- Freeze-resistant
- Exceptional corrosion resistance

The CD-4080 disc steam trap combines savings in three important areas: energy, installation and replacement. Mounting the CD-4080 on an IS4 4-bolt connector provides quick and easy in-line replacement.

## Maximum Operating Conditions

Maximum allowable pressure (vessel design):  
1245 psig @ 900°F (85.9 barg @ 482°C)

Maximum operating pressure:  
1245 psig (85.9 barg)

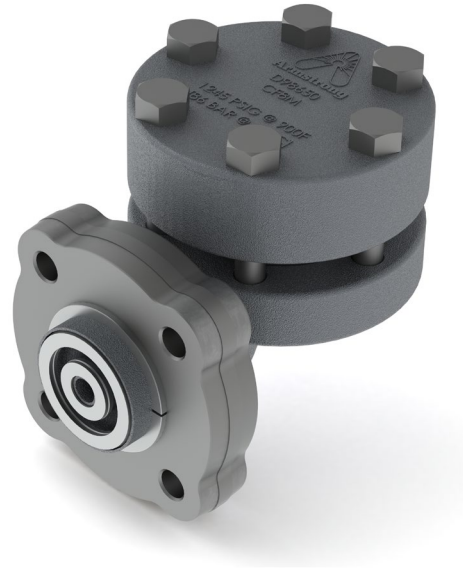
Minimum operating pressure:  
150 psig (10.3 barg)

## Materials of Construction

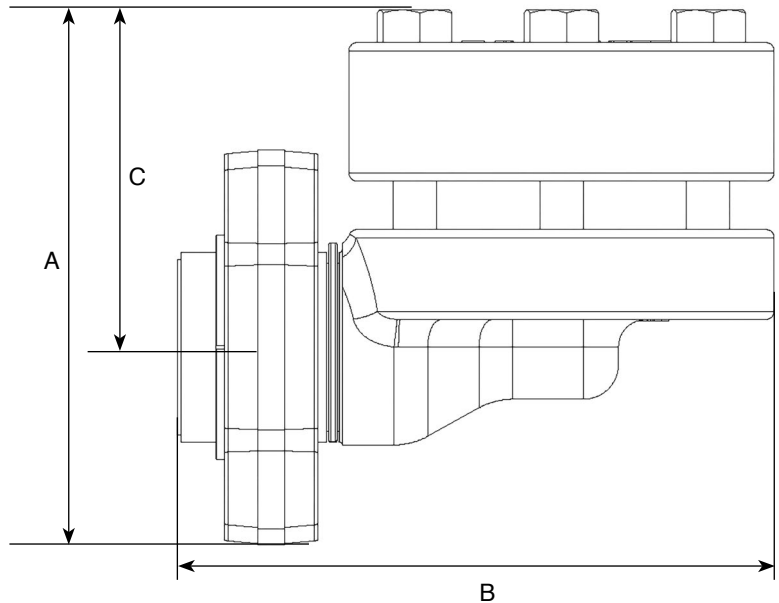
Body: ASTM A351 Gr. CF8M  
Cap: ASTM A351 Gr. CF8M  
Seat: ASTM A681 Type D2  
Disc: ASTM A681 Type D2

## 360° Universal Connector Options

- Blowdown valve
- Connection sizes: ¾" or 1" NPS
- Connection types: SW, NPT or Flange



CD4080		
Model No.	CD4080	
	in	mm
Pipe Connections	3/4, 1	20, 25
"A" (Height)	3.86	98.00
"B" (Length)	4.30	109.10
"C" (Flange to Top)	2.43	61.80
Trap Only Weight lb (kg)	5.2 (2.3)	



Designs, materials, weights and performance ratings are approximate and subject to change without notice. Visit [armstronginternational.com](http://armstronginternational.com) for up-to-date information.