



Stainless Steel Pressure Gauge



Pressure Gauge

Description

The stainless steel pressure gauges without filling fluid, may be installed on every chemical, petrochemical plants, onshore and offshore applications and machinery, food and pharmaceutical industry. Construction according to EN 837-1.

Pressure Gauge Ranges

- 1 / 5 bar
- 1 / 9 bar
- 1 / 15 bar
- 0 / 25 bar

Pressure Gauge Materials

Stainless steel Pressure Gauge
 Case and bayonet ring AISI304
 IP65 glass window
 Safety blow-out disc bourdon tube system in stainless steel 316L
 Connection thread in stainless steel 316L
 Wetted parts in stainless steel 316L

Pressure Gauge Operating Conditions

Overpressure: + 30% for scale
 Accuracy: Class 1, acc. to EN837 (for scale at 20°C)

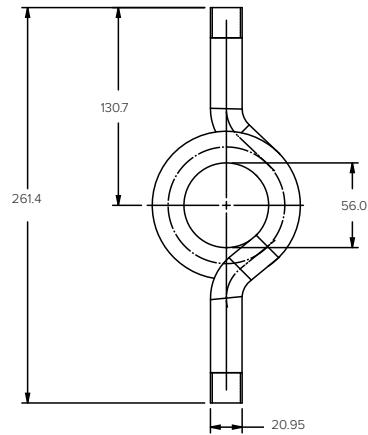
Connections

1/2" BSP/M

Options

- Safety glass thickness 4mm
- Stainless steel syphon and valve

Construction according to ATEX (94/9/EC), EN 837-1 and PED (2014/68/UE).

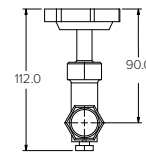
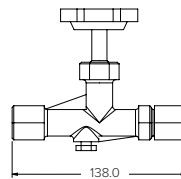
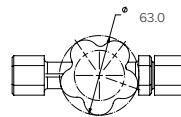


Syphon

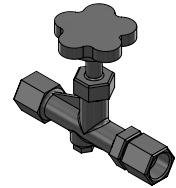


Syphon

- Carbon steel
- 1/2" BSP
- SCH. 80
- Maximum allowable temperature: 450 °C



Valve



Valve

- Carbon steel
- 1/2" BSP
- With drain

All dimensions and weights are approximate. Use certified print for exact dimensions. Design and materials are subject to change without notice.